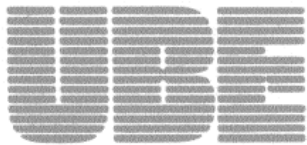


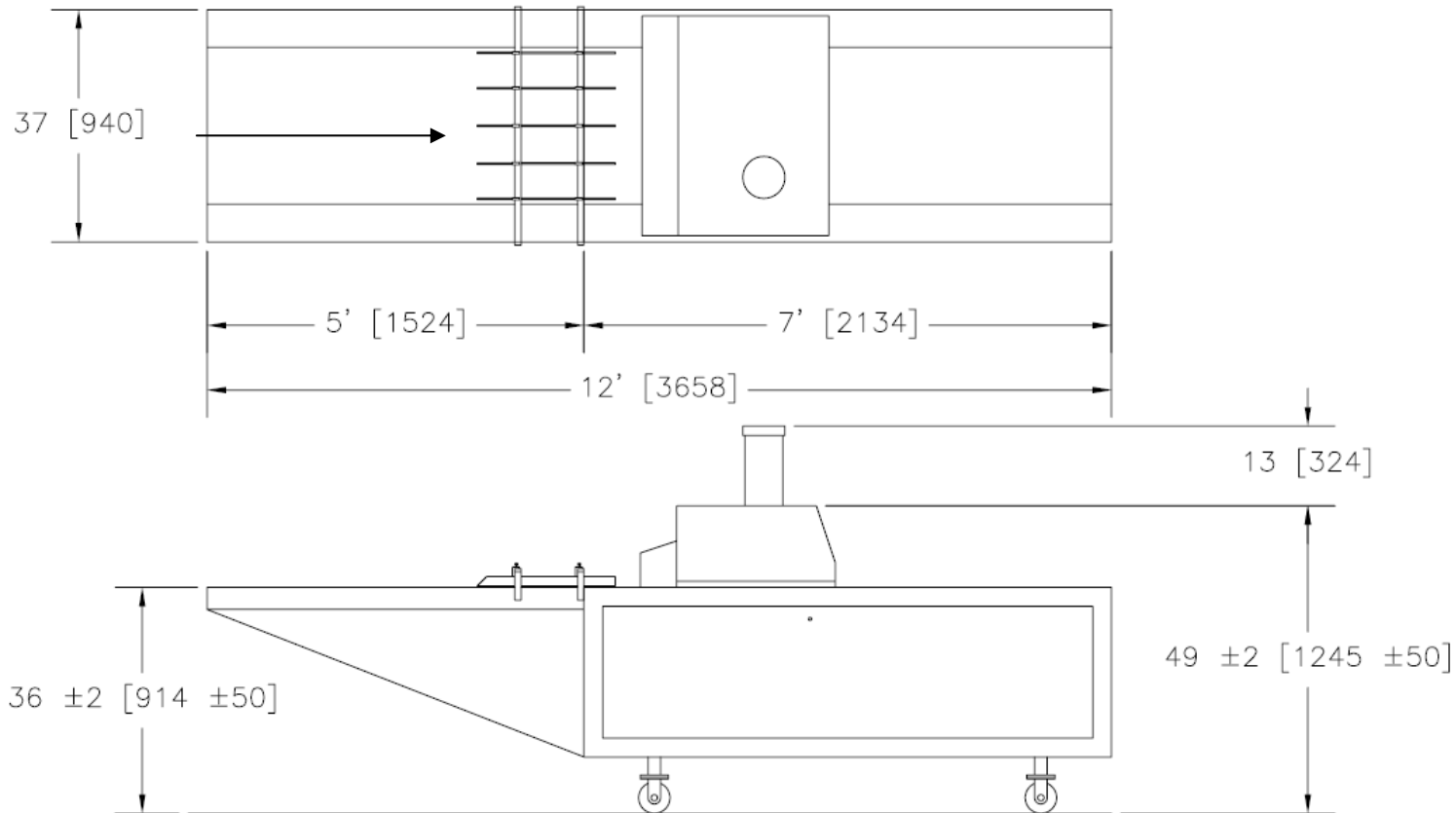
UBE 99IS HINGE SLICER



United Bakery Equipment Co. www.ubeusa.com

Mid-West Sales & Manufacturing
15815 W. 110th
Lenexa, KS 66219
Tel: (913) 541-8700
Fax: (913) 541-0781
officeks@ubeusa.com

West Coast Sales & Manufacturing
19216 S. Laurel Park Road
Rancho Dominguez, CA 90220
Tel: (310) 635-8121
Fax: (310) 635-8171
sales@ubeusa.com



Specifications

- Blade Size diameters – from 2 ½” to 8”
- Buyers Three Phase Power
- Compressed Air
- Belt speed, as requested by buyer. Available in variable speed drive or standard fixed speed.
- Machine Dimensions are typical; other layouts would be supplied by the factory for particular needs. Available as right or left hand machines.
- Typical adjustable screw legs are the standard support, optional casters are available.