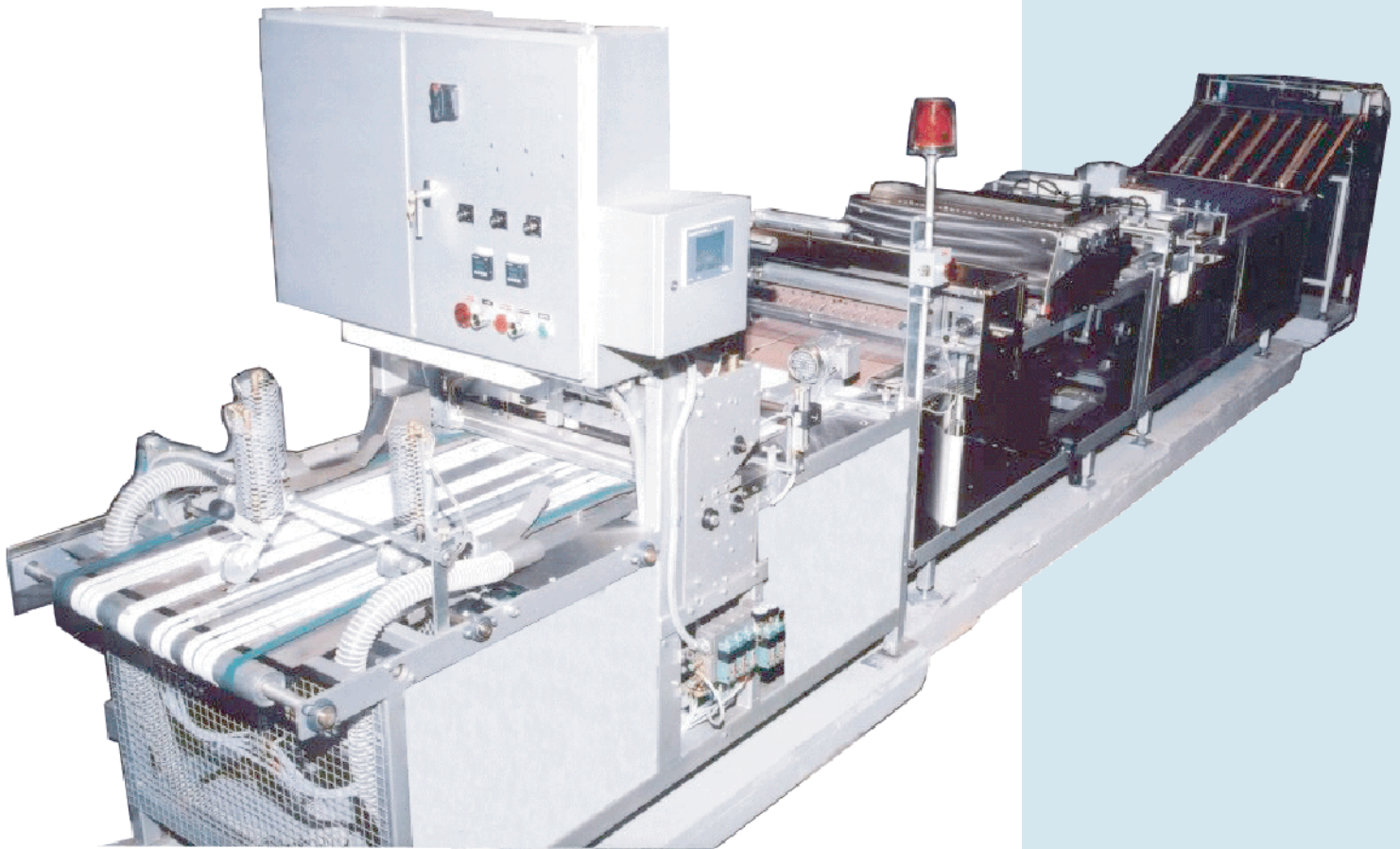


MODEL 204 BULK BUN PACKAGING SYSTEM



A proven system for roll bagging lines now works for roll bulk packaging lines. Interchangeable parts, familiar set ups for operations and UBE performance go to work for you.

A proven sealer section completes the process for a variety of package sizes. Available with semi - or fully automatic basket loading, UBE has installations around the globe.

Start with what is required and add as needed. UBE slicers meet present requirements and future expansion. UBE will discuss your packaging and speed specifications in order to build the machine you want.

MODEL 204 BULK BUN PACKAGING SYSTEM



SPECIAL FEATURES FOR GRUOP SIRO:

- Stainless steel frame and guards
- Metering conveyor
- 4 - 6 lane slide to lane guides
- 4 - 6 lanes adjustable from 60 to 130mm product width
- Gate and brake system for 4 to 6 lanes
- Single cut hinge slicer complete with blades and adjustments to suit buyer's products
- Possible space for future slicer
- Three side grouper prior to pouch sealer
- Vacuum system to tighten the package
- Discharge to buyer's conveyor
- CE compliant construction
- Wired for buyer's three phase power

OPTIONAL CENTER SEALER:

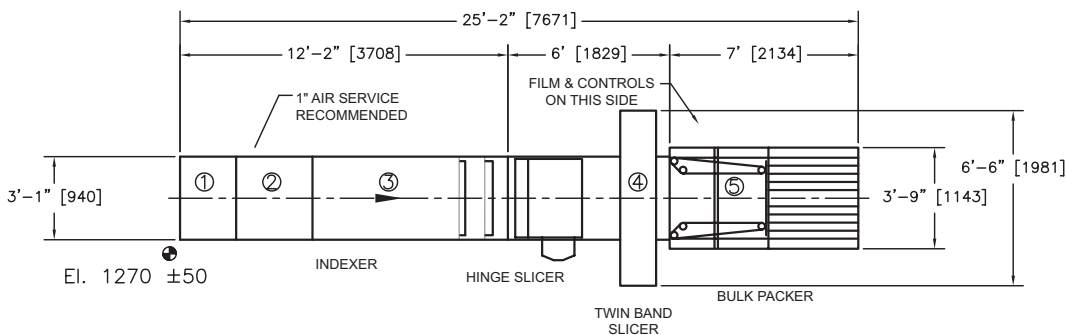
- Provides an optional "third" sealer system to seal down the center length of the package

OPTIONAL SKIP CUT SEALER:

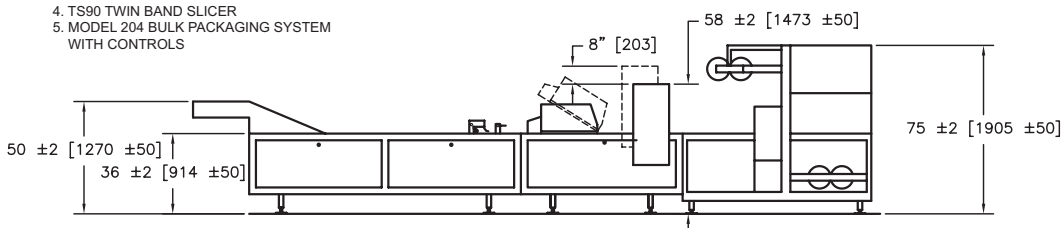
- To cross seal the package; seals, but does not make a separate cut of film package

SPECIFICATIONS:

- Product conveyor width.....26" [660mm]
- Maximum product width.....25 1/2" [647.7mm]
- Maximum film width.....30" [762mm]
- Power requirements.....20 Amps @380 Volts, 50 Hz. [8KW]
- Air.....12 CFM @100 PSI [390 M @5.5 Bar]



1. METERING CONVEYOR
2. SLIDE
3. SINGLE GATE INDEXER
4. TS90 TWIN BAND SLICER
5. MODEL 204 BULK PACKAGING SYSTEM WITH CONTROLS



For more information please contact:

United Bakery Equipment Co.

West Coast Sales & Manufacturing
19216 S. Laurel Park Road
Rancho Dominguez, CA 90220
Tel: (310) 635-8121
Fax: (310) 635-8171
sales@ubeusa.com

Mid-West Sales & Manufacturing
15815 W. 110th
Lenexa, KS 66219
Tel: (913) 541-8700
Fax: (913) 541-0781
officeks@ubeusa.com

www.ubeusa.com

(July-2004)